

We UVCare...

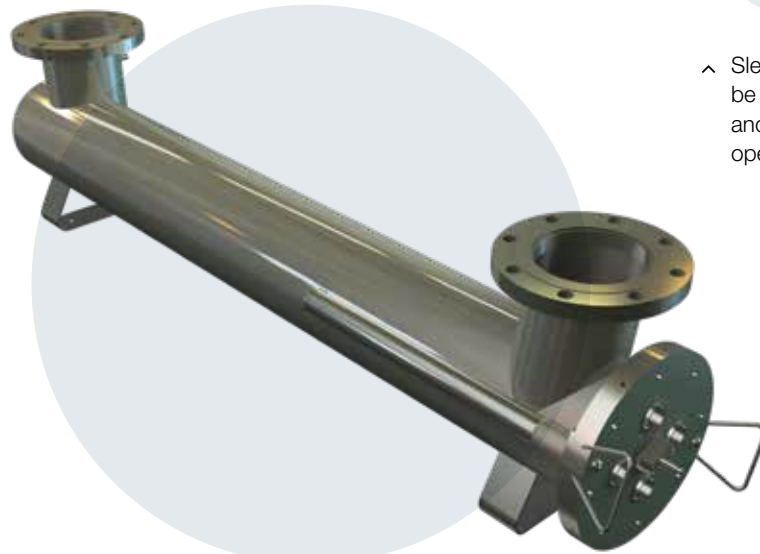
Application Optimised UV for Drinking Water



PROLINE PQ AL



^ Sleeves and wiper can be changed quickly and easily by a single operator



^ Patented lamp connector provides user safety and easy servicing

Validated UV treatment for drinking water

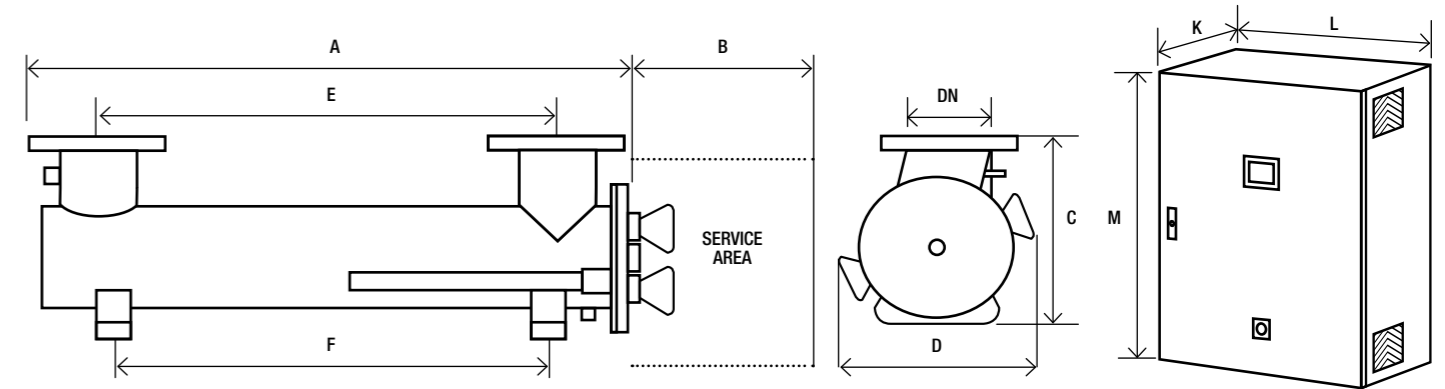
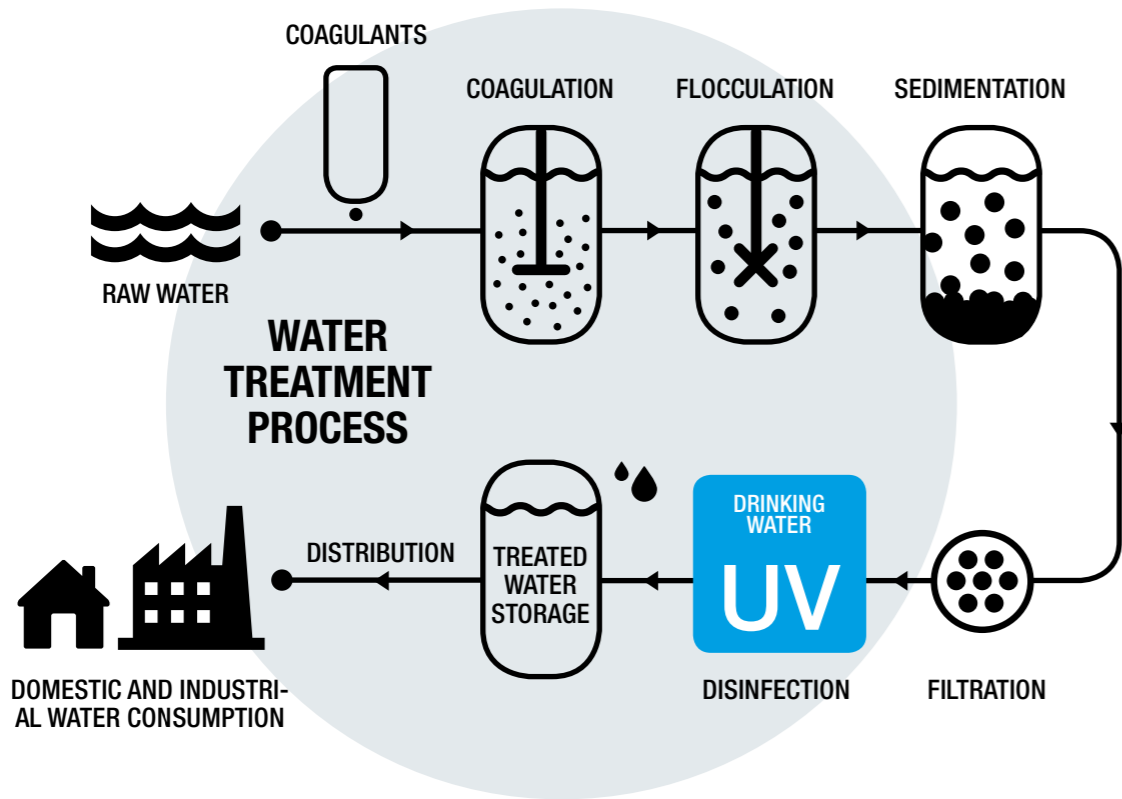
Our Proline PQ AL UV systems are optimised to deliver effective UV disinfection for drinking water. The PQ AL integrates an innovative multiple low pressure lamp chamber design with sensors and intelligent control technology to automatically deliver optimum disinfection performance with high operational efficiency. The PQ AL will disinfect the water, eliminate harmful micro-organisms, reduce the bio-burden, protect against bio-fouling and lower operating costs. Each system comes with a certified dry UV sensor allowing checking of UV performance. The UV sensor measures the germicidal output of the UV system and a UV dose read out makes it easy to monitor and log performance. The control system also has the ability to take flow and transmittance meter inputs and calculate the UV dose based on real time operating conditions.

berson

hanovia

aquionics

ProLine PQ AL™ drinking water treatment process



Model	Max Power (kW)	Dimensions (mm)										Approx weight (Kg)		
		Chamber					Control					Chamber (Empty)	Control Cabinet	
	Starting	Running	A	B	C	D	E	F	DN	K*	L	M**		
ProLine PQ AL 100	2.4	1.2-2.4	1710	1500	420	400	1417	1372	150	300	800	1000	150	70
ProLine PQ AL 300	7.2	3.6-7.2	1800	1500	605	560	1372	1475	250	400	1200	1200	300	140

* Allow dimension L in front of cabinet for door opening and panel access.
 ** M dimension includes the space for the cabinet mounting brackets but you need to allow space below the cabinet for cable entry and access (minimum of 250 mm).
 All dimensions are approximate for clearance purposes only. We have a policy of continuous product development, exact drawings are available on request. All specifications are subject to change without notification. Your distributor or our account manager can advise on correct sizing and specification requirements.

UV CHAMBER	
Material:	StSt 316L / 1.4404
Internal finish:	As made pipe and tube, <0.8 µm RA, welds as laid, electropolished and passivated
External finish:	Brushed to K280, electropolished and passivated
Process (mating) connections:	Flange EN 1092-1 PN16
Drain connection:	BSP socket
End plate:	Removable end plate
Degree of protection:	IP54 equivalent to NEMA 4 but not for outside use
Arc tube (lamp):	Low pressure
Arc tube enclosure:	Pure quartz
Number of arc tubes (lamps):	4 (PQ AL 100), 12 (PQ AL 300)
Expected lamp life:	9000 hours
Temperature sensor:	Yes
UV sensor:	Calibrated DVGW compliant dry sensor
Working fluid temperature:	5°C to 40°C
Hydrostatically pressure tested:	Yes
Wiper:	Automatic (electrically driven)
Chamber mounting:	Horizontal only
Operating pressure:	10 bar
Seals:	EPDM, ADI free, EC 1935/2004, FDA 21 CFR 177.2600 approved

CABINET	
Material:	Polyester coated carbon steel, RAL 7035
Degree of protection:	IP54 / NEMA 12
Supply voltages:	208 V to 277 V 1L+N or 2L, 50/60 Hz
Operating temp range:	5°C to 40°C
Relative humidity:	<95% non-condensing
Cooling fans:	Yes
Variable power:	Stepless variable power (50% reduction from maximum ballast power)
Interconnecting cable lengths:	10 m to chamber

CUSTOMER OUTPUTS	
4-20 mA outputs:	UV RED dose, lamp driven output power (%)
VFC outputs:	System ready, system stand by, system running, common warning, common trip, system in remote

CUSTOMER INPUTS	
4-20 mA active or passive inputs:	Flow meter and transmittance meter inputs
VFC inputs:	Remote stop/start, remote reset/clear message, remote set power high

CUSTOMER COMMUNICATIONS PORT	
Modbus RS 485 serial RTU for SCADA connection	

APPROVALS	
CE marked, UL 508A (optional), USEPA tested to UVDGM	

OPTIONS	
Document Support Pack	
Cabinet material: Stainless steel 304, IP54 (NEMA 12) or IP56 (NEMA 4x)	
Operation and Maintenance manual and printed Installation and Commissioning manual in Chinese, English, French, German and Spanish	
Flange options: ANSI 150, JIS, Table 'E'	
Lead length: 20 and 29 m	
Aggressive water package: For 400 ppm to 20000 ppm chloride water	
Welder Document Pack for chamber construction	
Skid mounting	
Vent valve: Manual valve hygienic design	
In field UV reference sensor kit	
UL 508A labeled for cabinet	

KEY FEATURES	WHAT IT GIVES YOU	BENEFITS FOR YOU
INTELLIGENCE		
UV sensor	Continuous verification of performance with real time red UV dose reading and in-built low UV dose alarm	Easy to monitor and log system performance
Flow and UV transmittance (UVT) meter inputs	Stepless adjustment of lamp power based on real time operating conditions	Optimised use of energy, saving operating costs
OPTIMISATION		
Third party validated UV systems tested in accordance with the USEPA UV Disinfection Guidance Manual	UV system dose equations and sizing have been independently derived	Confidence the system will perform as stated
Multiple low pressure lamps	Provides optimum wavelength to disinfect your drinking water	Does not affect taste and odour
	High treatment capacity	No chemicals Compact footprint and reduced operating cost
Innovative chamber design	Maximises the water's exposure to UV light	Reduces energy costs
Designed for treatment of drinking water	Flanged connections, high standard internal finish	Designed to international standards
	FDA and EC approved seals	Industry compliant materials
	Automatic wiper	Self cleaning to maintain performance
INTEGRATION		
Designed for your process	*Skid mountable	Easy to install

* Option



PROLINE PQ AL

Also available in our Drinking Water product range...



PROLINE PQ EO

Energy Optimised medium pressure range, USEPA validated with built in UVT compensation



PROLINE PQ AF

Small community, low energy amalgam range with USEPA validation



PROLINE PQ IL

Compact medium pressure range with USEPA validation, for use where space is tight in small to mid-sized communities



PROLINE PQ IL DVGW

Compact medium pressure range with DVGW certification, for use where space is tight in small to mid-sized communities



www.weuvcare.com

BERSON, HANOVIA & AQUIONICS WORKING TOGETHER AS PART OF THE HALMA GROUP.

Netherlands

t: +31 40 2907777
e: sales@bersonuv.com

China

t: +86 21 61679599
e: china@hanovia.com

USA

t: +1 980 256 5700
e: sales@aquionics.com

Germany

t: +49 611 44575375
e: verkauf@hanovia.com

Malaysia

t: +60 16 440 8834
e: asia@hanovia.com

Canada

t: +1 980.256.5700
e: sales@aquionics.com

United Kingdom

t: +44 1753 515300
e: sales@hanovia.com

Mexico

t: +1 980.256.5700
e: sales@aquionics.com



FM 29365

©2019 Berson Hanovia Aquionics - 910434-1400-01-EN