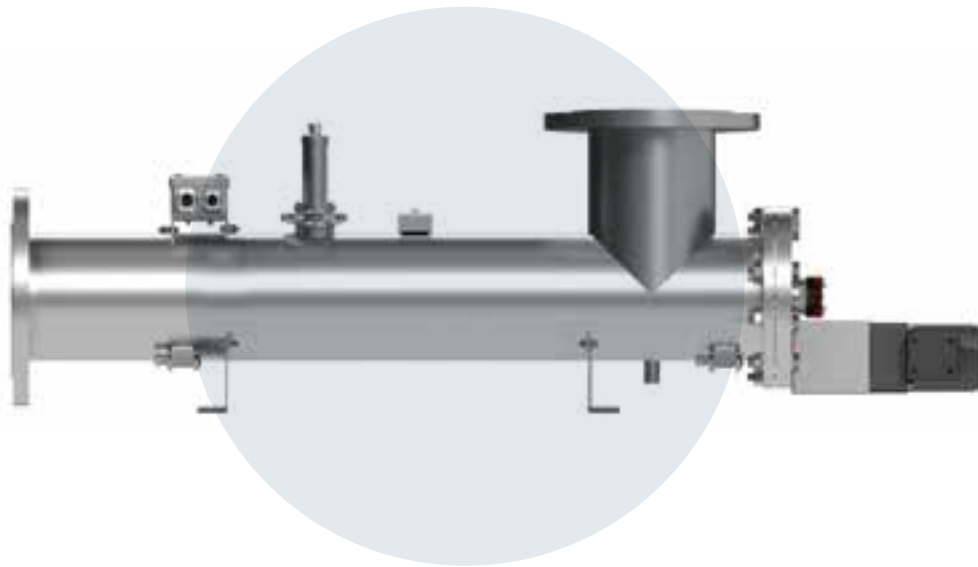


We UVCare...

Application Optimised UV for Aquaculture



RASLINE D EO



Optimised UV
treatment for
aquaculture

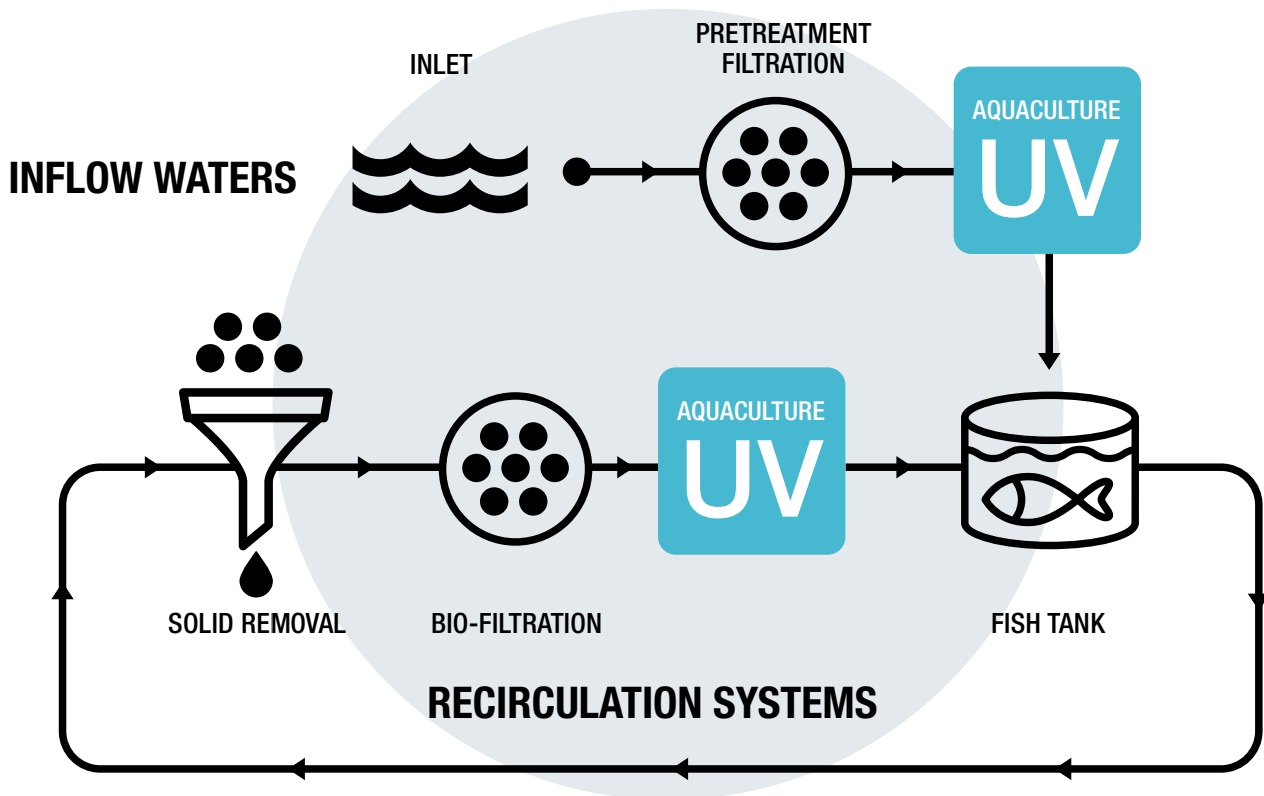
Our RASLine D EO UV systems are optimised to deliver effective UV disinfection for recirculating aquaculture systems. The D EO integrates an innovative single medium pressure lamp chamber design with sensors and intelligent control technology to automatically deliver optimum disinfection performance with high operational efficiency. The D EO will eliminate harmful microorganisms, reduce the bio-burden, protect against bio-fouling and lower operating costs. Each system comes with a certified dry UV sensor that measures the germicidal output of the UV system and a UV dose read out makes it easy to monitor and log performance.

berson

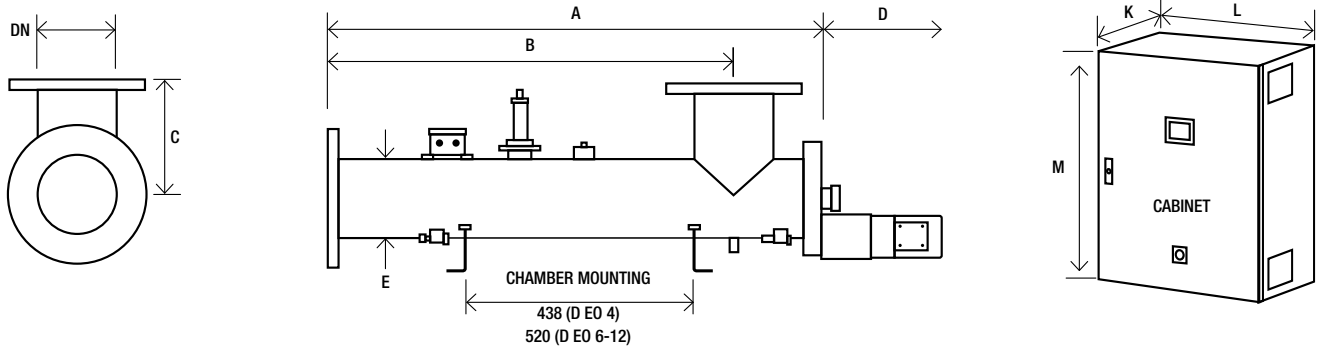
hanovia

aquionics

Potential locations of the RASLine D EO™ UV system



KEY FEATURES	WHAT IT GIVES YOU	BENEFITS FOR YOU
INTELLIGENCE		
UV sensor	Continuous verification of performance with in-built low intensity alarm	Easy to monitor and log system performance
UVGuard™ on UV sensor window	Protects against UV exposure when checking a UV duty sensor with a reference sensor while the system is operating	Ability to safely audit the UV performance without interrupting production
Flow and UV transmittance (UVT) meter inputs	Stepless adjustment of lamp power based on real time operating conditions	Optimised use of energy, saving operating costs
OPTIMISATION		
Single medium pressure lamp	Provides germicidal wavelengths to disinfect the water	Protect your fish, your processes and the environment from harmful contamination without resorting to chemicals.
	Lower maintenance cost compared to multi-lamp system	Reduced operating costs
Automatic wiper (quartz cleaning)	Self cleaning	
INTEGRATION		
Designed for the treatment of aquaculture water	UVShield™ power cut-out for lamp access (option)	Enhanced operator safety when changing a lamp
	Can be retrofitted to existing process	Easy integration
	RS 485 Industrial Ethernet	Easy integration to building management systems



		Dimensions (mm)											Approx weight (Kg)							
		Chamber							Control Cabinet (fan cooled)		Control Cabinet (with A/C)		Chamber	Control Cabinet						
Model Number	Max Power (kW)	Min T ₁₀ (%)	A	B	C	D	E	DN	K*	L	M**	K*	L	M**	Empty	Fan cooled	With A/C			
Starting																				
RASLine D EO 4	4.5	80	1009/1232 with motor				823	165	900	114	100	400	800	1200	400	1250	1200	30	96	120
RASLine D EO 6	4.5	80	1035/1286 with motor				850	245	950	168	150	400	800	1200	400	1250	1200	44	96	120
RASLine D EO 8	4.5	80	1110 /1361 with motor				875	320	1000	210	200	400	800	1200	400	1250	1200	65	96	120
RASLine D EO 10	4.5	80	1190/1441 with motor				903	430	1100	273	250	400	800	1200	400	1250	1200	96	96	120
RASLine D EO 12	6.8	80	1430 /1685 with motor				1093	475	1325	324	300	400	800	1200	400	1250	1200	145	96	120

* Allow dimension L in front of cabinet for door opening and panel access.

** M dimension includes the space for the cabinet mounting brackets but you need to allow space below the cabinet for cable entry and access (minimum of 250 mm).

All dimensions are approximate for clearance purposes only. We have a policy of continuous product development, exact drawings are available on request.

All specifications are subject to change without notification. Your distributor or our account manager can advise on correct sizing and specification requirements.

UV CHAMBER

Material:	StSt 316L / 1.4404
Internal finish:	As made pipe and tube, welds as laid, electropolished and passivated
External finish:	BS EN 10088-2 or 10088-3, 1J or 2J and ASTM No. 4
Process (mating) connections:	Flange EN 1092-1 PN16
Drain connection:	BSPT
End plate:	Removable end plate
Degree of protection:	IP65 equivalent to NEMA 4 but not for outside use
Wiper:	Automatic (electrically driven)
Arc tube (lamp):	Medium pressure
Arc tube enclosure:	Doped quartz (F240)
Number of arc tubes (lamps):	1
Expected lamp life:	9000 hours
Temperature sensor:	Yes
UV sensor:	Calibrated DVGW compliant dry sensor with UVGuard™ sensor window
Working fluid temperature:	1°C to 60°C
Hydrostatically pressure tested:	Yes to PED requirements EN 13445
Chamber mounting:	Horizontal only
Operating pressure:	6 bar (positive pressure only)
Seals:	EPDM, DVGW-W270 D1 and D2, NSF 51 and 61 approved

OPTIONS

Cabinet:	Stainless steel 304 with fans (5°-40°C), IP55 (NEMA 4X)
Cabinet:	Stainless steel 304 with air conditioning (5°-50°C), IP66 (NEMA 4X), relative humidity <95% non condensing
Operation and Maintenance manual and printed Installation and Commissioning manual in Chinese, English, French, German and Spanish	
Flange options:	ANSI 150 (NPT drain), JIS and Table 'E'
Lead length:	20 and 29 m
Bleed valve:	valve supplied
Vent valve:	manual valve
Welder Pack	
Operating pressure:	10 bar and 16 bar
Aggressive water package:	For 400 ppm to 20000 ppm chloride water

OPTIONS (CONTINUED)

Skid mounting (not ship board or earthquake zone)	
Document Support Pack	
UVShield™: Power cut-out for lamp access	
UL 508A	
Halogen free cables	
Water leak detection	
In field UV reference sensor kit	

CABINET (CONTROLLER UVTOUCH™)

Material:	Polyester coated carbon steel
Degree of protection:	IP55 / NEMA 12
Supply voltages:	380 V to 480 V (-5% to +10%), 50/60 Hz
Operating temp range:	5°C to 40°C
Relative humidity:	<85% non-condensing
Cooling fans:	Yes

CABINET (GENERAL)

Ballast power adjustment:	Stepless variable power (30 to 100% of maximum ballast rating)
Interconnecting cable:	10 m cabinet to chamber

CUSTOMER INPUTS

4-20 mA passive inputs:	Flow meter and transmittance meter
VFC inputs:	Remote stop/start, Remote reset, Reduce power
24 V dc pulsed inputs:	Start and stop

CUSTOMER OUTPUTS

4-20 mA passive outputs:	UV intensity, UV dose and chamber temperature
VFC outputs:	Lamp ready (enable flow), System running, Common warning, Common trip, Low UV warning, Water leak detected, System in remote

CUSTOMER COMMUNICATIONS PORT

RS 485:	Modbus
---------	--------

APPROVALS

CE marked



RASLINE D EO

Also available in our Aquaculture product range...



RASLINE D PH

Suitable for a wide range of general disinfection applications across a range of UVTs and flows



RASLINE PQ IL

3rd party NVI validated systems for critical disinfection requiring approvals and a wide range of UVT applications.



www.weuvcare.com

BERSON, HANOVIA & AQUIONICS WORKING TOGETHER AS PART OF THE HALMA GROUP.

Netherlands

t: +31 40 2907777
e: sales@bersonuv.com

China

t: +86 21 61679599
e: china@hanovia.com

USA

t: +1 980 256 5700
e: sales@aquionics.com

Germany

t: +49 611 44575375
e: verkauf@hanovia.com

Malaysia

t: +60 16 440 8834
e: asia@hanovia.com

Canada

t: +1 980.256.5700
e: sales@aquionics.com

United Kingdom

t: +44 1753 515300
e: sales@hanovia.com

Mexico

t: +1 980.256.5700
e: sales@aquionics.com



FM 29365

©2019 Berson Hanovia Aquionics - 910435-2000-02-EN