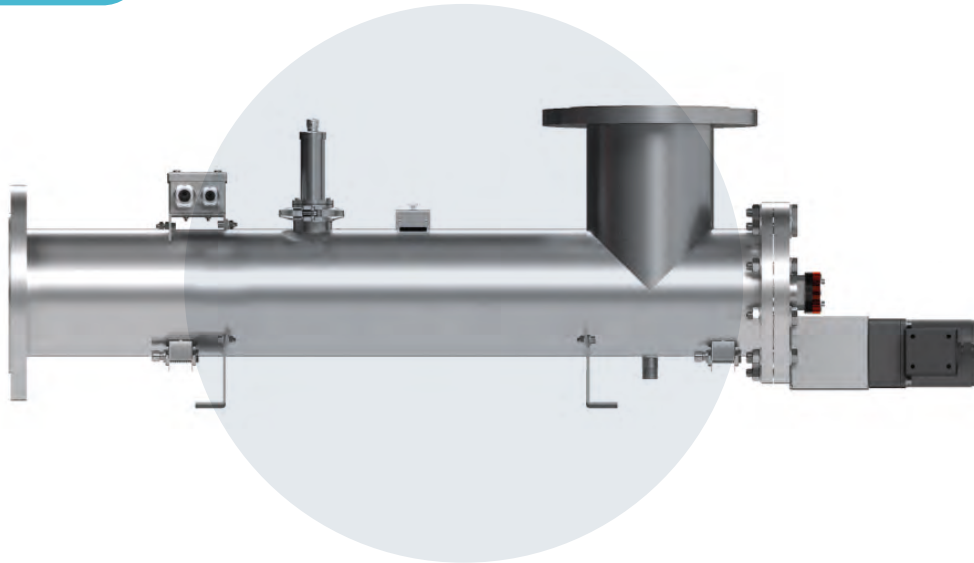


We UVCare...



RASLINE D EO

## Application Optimized UV for Aquaculture



Optimized UV  
treatment for  
aquaculture

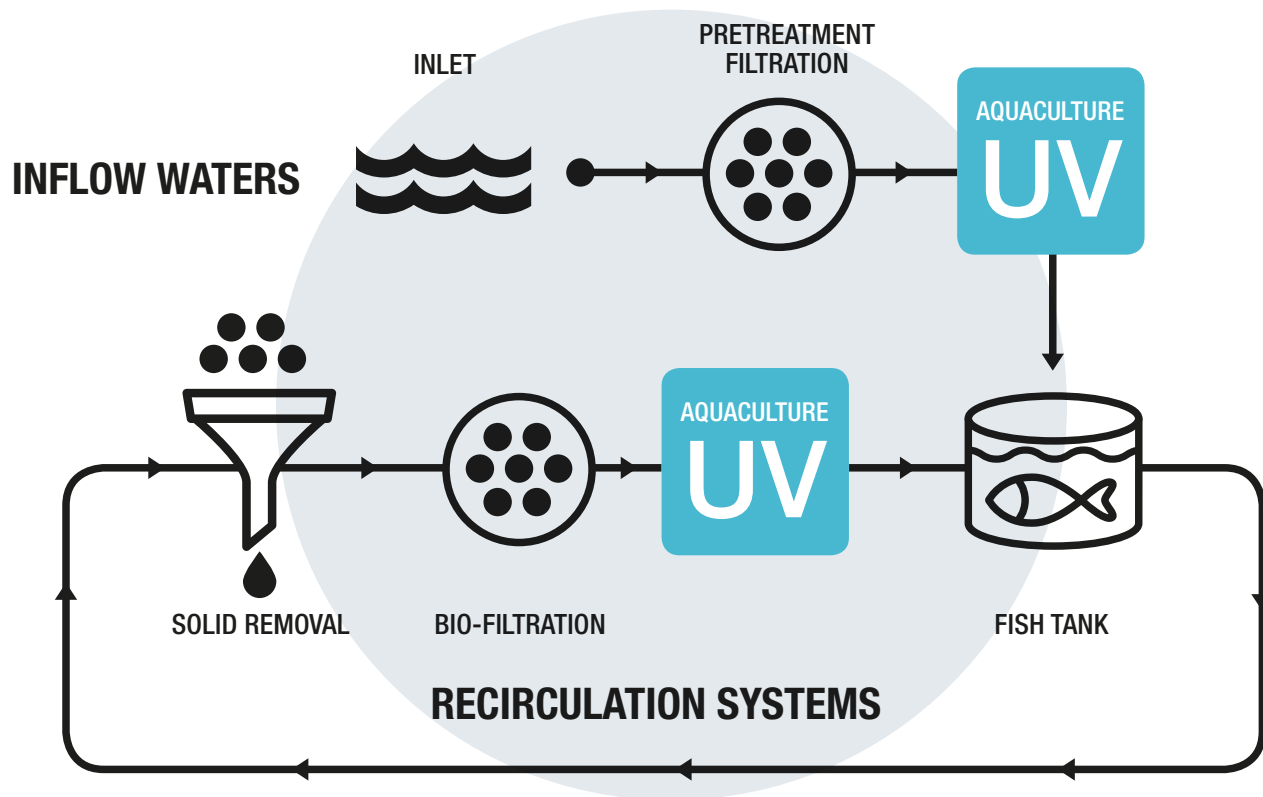
Our RASLine D EO UV systems are optimised to deliver effective UV disinfection for recirculating aquaculture systems. The D EO integrates an innovative single medium pressure lamp chamber design with sensors and intelligent control technology to automatically deliver optimum disinfection performance with high operational efficiency. The D EO will eliminate harmful microorganisms, reduce the bio-burden, protect against bio-fouling and lower operating costs. Each system comes with a certified dry UV sensor that measures the germicidal output of the UV system and a UV dose read out makes it easy to monitor and log performance.

berson

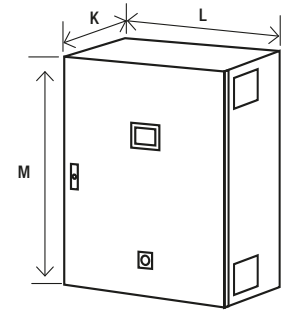
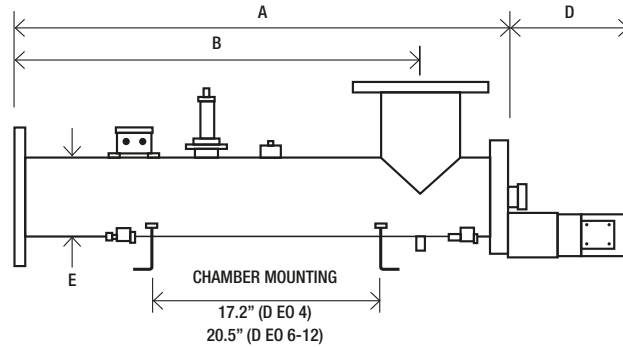
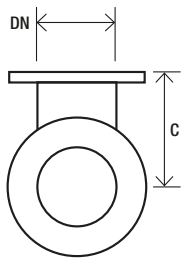
hanovia

aquionics

# Aquaculture inflow/recirculation process diagram



KEY FEATURES	WHAT IT GIVES YOU	BENEFITS FOR YOU
<b>INTELLIGENCE</b>		
UV sensor	Continuous verification of performance with in-built low intensity alarm	Easy to monitor and log system performance
Flow and UV transmittance (UVT) meter inputs	Stepless adjustment of lamp power based on real time operating conditions	Optimised use of energy, saving operating costs
<b>OPTIMIZATION</b>		
Single medium pressure lamp	Provides germicidal wavelengths to disinfect the water	Protect your fish, your processes and the environment from harmful contamination without resorting to chemicals.
	Lower maintenance cost compared to multi-lamp system	Reduced operating costs
Automatic wiper (quartz cleaning)	Self cleaning	
<b>INTEGRATION</b>		
Designed for the treatment of aquaculture water	UVShield™ power cut-out for lamp access (option)	Enhanced operator safety when changing a lamp
	Can be retrofitted to existing process	Easy integration
	RS 485 Industrial Ethernet	Easy integration to building management systems



			Dimensions (Inches)											Approx weight (lb)			
			Chamber							Control Cabinet (fan cooled)		Control Cabinet (with A/C)		Chamber	Control Cabinet		
Model Number	Max Power (kW)	Min T <sub>10</sub> (%)	A	B	C	D	E	DN	K*	L	M**	K*	L	M**	Empty	Fan cooled	With A/C
Starting																	
RASLine D EO 4	4.5	80	39.7/48.5 with motor	32.4	6.5	35.4	4.5	4	15.7	31.5	50.8	15.7	41.4	50.8	66.1	211.6	264.6
RASLine D EO 6	4.5	80	40.7/50.6 with motor	33.5	9.6	37.4	6.6	6	15.7	31.5	50.8	15.7	41.4	50.8	97	211.6	264.6
RASLine D EO 8	4.5	80	43.7 /53.6 with motor	34.4	12.6	39.4	8.3	8	15.7	31.5	50.8	15.7	41.4	50.8	143.3	211.6	264.6
RASLine D EO 10	4.5	80	47/56.7 with motor	35.5	17	43.3	10.7	9.8	15.7	31.5	50.8	15.7	41.4	50.8	211.6	211.6	264.6
RASLine D EO 12	6.8	80	56.3 /66.3 with motor	43	18.7	52.2	12.7	11.8	15.7	31.5	50.8	15.7	41.4	150.8	319.7	211.6	264.6

\* Allow dimension L in front of cabinet for door opening and panel access.  
 \*\* M dimension includes the space for the cabinet mounting brackets but you need to allow space below the cabinet for cable entry and access (minimum of 9.8").  
 All dimensions are approximate for clearance purposes only. We have a policy of continuous product development, exact drawings are available on request.  
 All specifications are subject to change without notification. Your distributor or our account manager can advise on correct sizing and specification requirements.

UV CHAMBER	
Material:	StSt 316L / 1.4404
Internal finish:	As made pipe and tube, welds as laid, electropolished and passivated
External finish:	BS EN 10088-2 or 10088-3, 1J or 2J and ASTM No. 4
Process (mating) connections:	Flange EN 1092-1 PN16
Drain connection:	BSPT
End plate:	Removable end plate
Degree of protection:	IP65 equivalent to NEMA 4 but not for outside use
Wiper:	Automatic (electrically driven)
Arc tube (lamp):	Medium pressure
Arc tube enclosure:	Pure quartz
Number of arc tubes (lamps):	1
Expected lamp life:	9000 hours
Temperature sensor:	Yes
UV sensor:	Calibrated DVGW compliant dry sensor with UVGuard™ sensor window
Working fluid temperature:	32°F to 140°F
Strainer:	Yes
Hydrostatically pressure tested:	Yes to PED requirements EN 13445
Chamber mounting:	Horizontal only
Operating pressure:	6 bar
Pressure loss:	Typically < 70 mbar
Seals:	EPDM, DVGW-W270 D1 and D2, NSF 51 and 61 approved
OPTIONS	
Operation and Maintenance manual and printed Installation and Commissioning manual in Chinese, English, French, German and Spanish	
Flange options: ANSI 150 (NPT drain), JIS and Table 'E'	
Lead length: 65.6 ft and 95.1 ft	
Skid mounting	
Vent valve	
UVShield™: Power cut-out for lamp access	
Water leak detection	
In field UV reference sensor kit	

CABINET (FAN COOLED)	
Material:	Polyester coated carbon steel
Degree of protection:	IP55 / NEMA 12
Supply voltages:	400 V to 480 V, 50/60 Hz
Operating temp range:	41°F to 104°F
Relative humidity:	<85% non-condensing
Cooling fans:	Yes
CABINET (WITH A/C)	
Material:	Stainless steel 304
Degree of protection:	IP66 / NEMA 4X
Supply voltages:	400 V to 480 V, 50/60 Hz
Operating temp range:	41°F to 122°F (UL 104°F)
Relative humidity:	<95% non-condensing
Cooling fans:	No
CABINET (GENERAL)	
Ballast power adjustment:	Stepless variable power (30 to 100% of maximum ballast rating)
Interconnecting cable:	32.8 ft cabinet to chamber
CUSTOMER INPUTS	
4-20 mA passive inputs:	Flow meter and transmittance meter
VFC inputs:	Remote stop/start, Remote reset, Reduce power
24 V dc pulsed inputs:	Start and stop
CUSTOMER OUTPUTS	
4-20 mA passive outputs:	UV intensity, UV dose and chamber temperature
VFC outputs:	Lamp ready (enable flow), System running, Common warning, Common trip, Low UV warning, Water leak detected, System in remote
CUSTOMER COMMUNICATIONS PORT	
RS 485:	Modbus
APPROVALS	
CE marked	



**RASLINE D EO**

Also available in our Aquaculture product range...



**RASLINE D PH**

Suitable for a wide range of general disinfection applications across a range of UVTs and flows



**RASLINE PQ IL**

3rd party NVI validated systems for critical disinfection requiring approvals and a wide range of UVT applications.



**[www.weuvcare.com](http://www.weuvcare.com)**

BERSON, HANOVIA & AQUIONICS WORKING TOGETHER AS PART OF THE HALMA GROUP.

**Netherlands**

t: +31 40 2907777  
e: sales@bersonuv.com

**China**

t: +86 21 61679599  
e: china@hanovia.com

**USA**

t: +1 980 256 5700  
e: sales@aquionics.com

**Germany**

t: +49 611 44575375  
e: verkauf@hanovia.com

**Malaysia**

t: +60 16 440 8834  
e: asia@hanovia.com

**Canada**

t: +1 980.256.5700  
e: sales@aquionics.com

**United Kingdom**

t: +44 1753 515300  
e: sales@hanovia.com

**Mexico**

t: +1 980.256.5700  
e: sales@aquionics.com



A **Halma** company