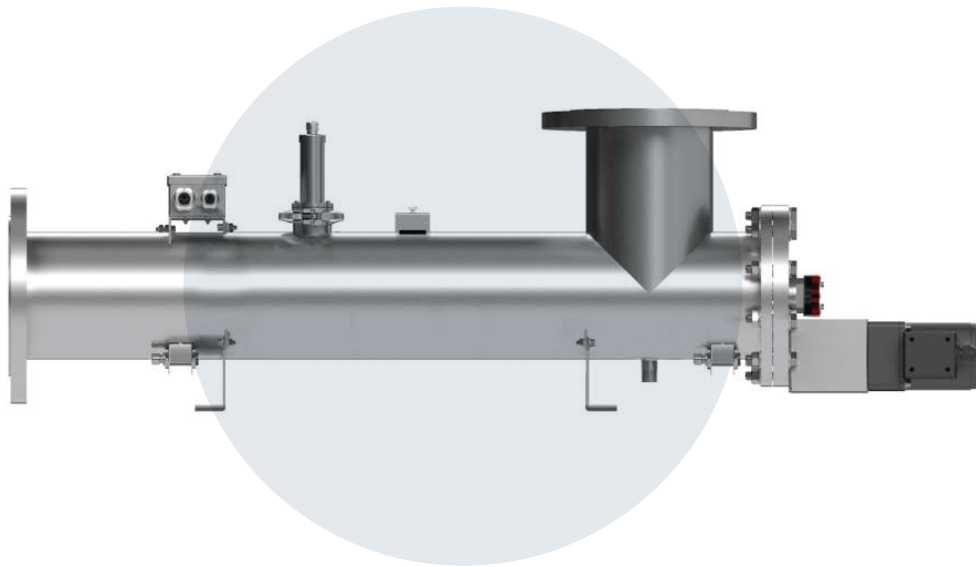


We UVCare...

# Application Optimised UV for Pools & Leisure



SWIMLINE PQ EO



Independently  
validated and  
optimised UV  
treatment for pools  
and spas

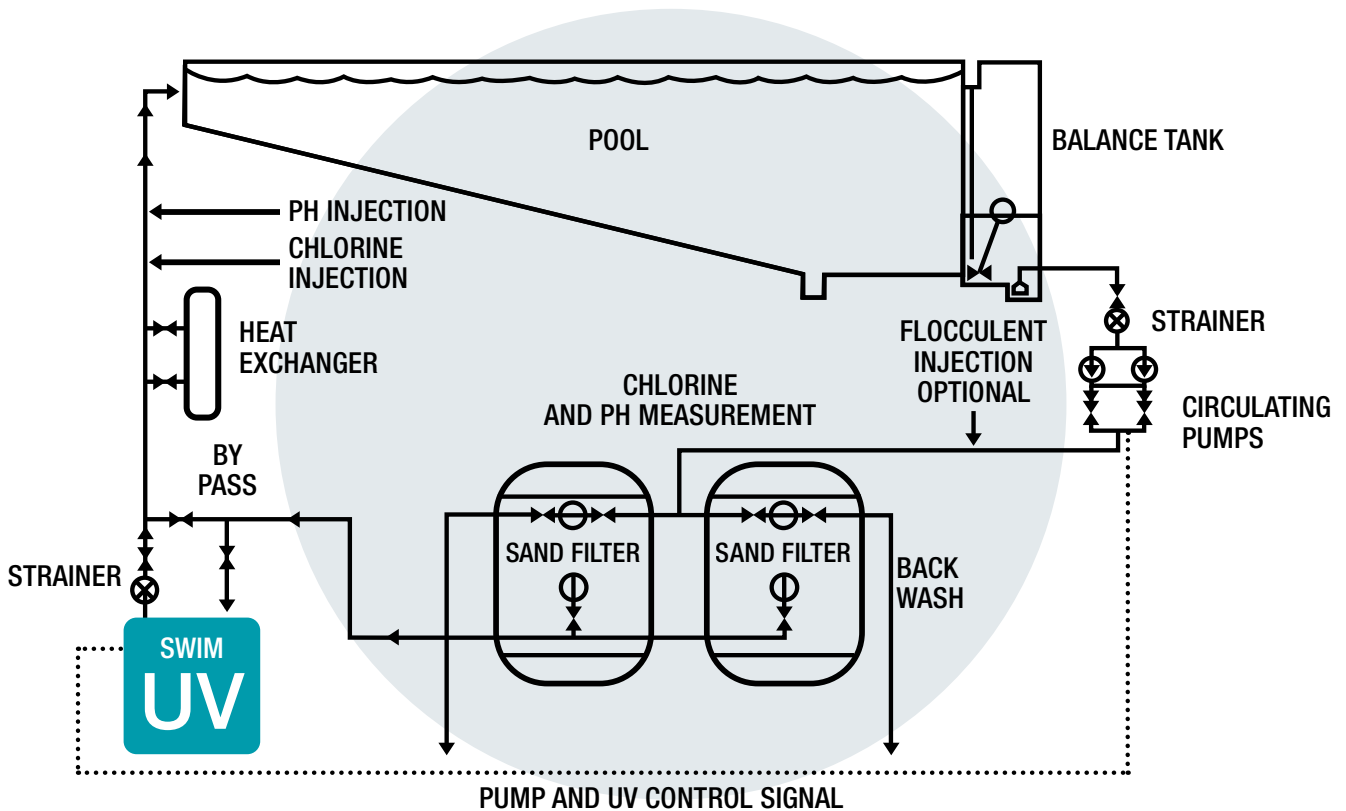
Our SwimLine PQ EO UV systems are optimised to deliver effective treatment (chloramine removal and disinfection) for all leisure facilities from spas through to large competition pools. By using medium pressure lamps we break down not only monochloramine but also di- and trichloramine which are responsible for eye and skin irritation, headaches and unpleasant odours. Using UV in the water treatment process provides bathers and staff with a pleasant and safe environment. UV has the added advantage of being effective against chlorine resistant microorganisms such as *Cryptosporidium* and is up to 5 times cheaper to maintain and occupies only 1/10th of the space of ozonation equipment. Energy optimisation and single lamp designs provide the lowest cost of ownership whilst validations provide peace of mind.

berson

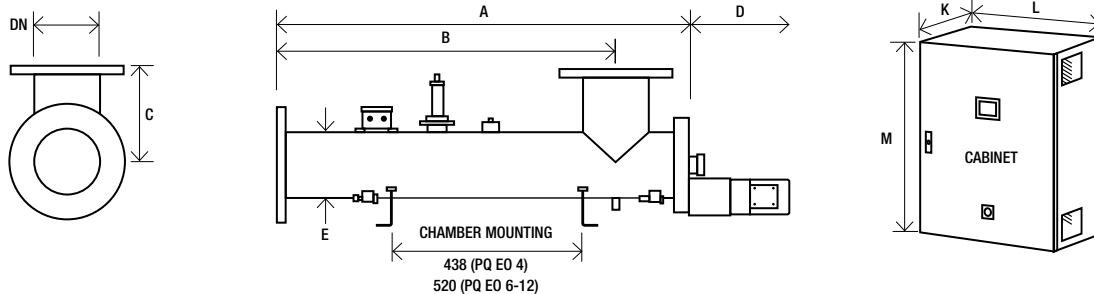
hanovia

aquionics

# SwimLine PQ EO™ Single pool with UV treatment



KEY FEATURES	WHAT IT GIVES YOU	BENEFITS FOR YOU
<b>INTELLIGENCE</b>		
UV sensor	Continuous verification of performance with in-built low dose alarm	Easy to monitor and log system performance
UVGuard™ on UV sensor window	Protects against UV exposure when checking a UV duty sensor with a reference sensor while the system is operating	Ability to safely audit the UV performance without interrupting production
Flow and UV transmittance (UVT) meter inputs	Stepless adjustment of lamp power based on real time operating conditions	Optimised use of energy, saving operating costs
<b>OPTIMISATION</b>		
Single medium pressure lamp	Provides UV light at 200 to 400 nm wavelengths ideal for the destruction of mono-, di- and trichloramine	Visibly clear water with reduced odours
		Reduced building corrosion risk
		Minimises bathers' eye and skin irritation
	Provides germicidal wavelengths to disinfect the water	Protect bathers from chlorine resistant microorganisms such as <i>Cryptosporidium</i> or <i>Giardia</i>
	Lower maintenance cost compared to multi-lamp system	Reduced operating costs
Automatic wiper (quartz cleaning)	Self cleaning	
<b>INTEGRATION</b>		
Designed specifically for pools	UVShield™ power cut-out for lamp access (option)	Enhanced operator safety when changing a lamp
	Water leak detection (option)	Increased bather safety when used with a strainer
	RS 485 Industrial Ethernet	Easy integration to building management systems



			Dimensions (mm)									Approx weight (Kg)		
			Chamber						Control Cabinet (fan cooled)			Chamber	Control Cabinet	
Model Number	Max Power (kW)	Min T <sub>10</sub> (%)	A	B	C	D	E	DN	K*	L	M**	Empty	Fan cooled	With A/C
Starting														
SwimLine PQ EO 4	4.5	80	1009/1232 with motor	823	165	900	114	100	400	800	1200	30	96	120
SwimLine PQ EO 6	4.5	80	1035/1286 with motor	850	245	950	168	150	400	800	1200	44	96	120
SwimLine PQ EO 8	4.5	80	1110 /1361 with motor	875	320	1000	210	200	400	800	1200	65	96	120
SwimLine PQ EO 10	4.5	80	1190/1441 with motor	903	430	1100	273	250	400	800	1200	96	96	120
SwimLine PQ EO 12	6.8	80	1430 /1685 with motor	1093	475	1325	324	300	400	800	1200	145	96	120

\* Allow dimension L in front of cabinet for door opening and panel access.

\*\* M dimension includes the space for the cabinet mounting brackets but you need to allow space below the cabinet for cable entry and access (minimum of 250 mm).

All dimensions are approximate for clearance purposes only. We have a policy of continuous product development, exact drawings are available on request.

All specifications are subject to change without notification. Your distributor or our account manager can advise on correct sizing and specification requirements.

#### UV CHAMBER

Material:	StSt 316L / 1.4404
Internal finish:	As made pipe and tube, welds as laid, electropolished and passivated
External finish:	BS EN 10088-2 or 10088-3, 1J or 2J and ASTM No. 4
Process (mating) connections:	Flange EN 1092-1 PN16
Drain connection:	BSPT
End plate:	Removable end plate
Degree of protection:	IP65 equivalent to NEMA 4 but not for outside use
Wiper:	Automatic (electrically driven)
Arc tube (lamp):	Medium pressure
Arc tube enclosure:	Doped quartz (F240)
Number of arc tubes (lamps):	1
Expected lamp life:	9000 hours
Temperature sensor:	Yes
UV sensor:	Calibrated DVGW compliant dry sensor with UVGuard™ sensor window
Working fluid temperature:	1°C to 60°C
Strainer:	Yes
Hydrostatically pressure tested:	Yes to PED requirements EN 13445
Chamber mounting:	Horizontal only
Operating pressure:	6 bar (positive pressure only)
Seals:	EPDM, DVGW-W270 D1 and D2, NSF 51 and 61 approved

#### OPTIONS

Operation and Maintenance manual and printed Installation and Commissioning manual in Chinese, English, French, German and Spanish
Flange options: ANSI 150 (NPT drain), JIS and Table 'E'
Lead length: 20 and 29 m
Skid mounting (not ship board or earthquake zone)
Air vent: connection capped
UVShield™: Power cut-out for lamp access
Water leak detection
Aggressive water package: For 400 ppm to 20000 ppm chloride water UL 508A
In field UV reference sensor kit

#### CABINET (CONTROLLER UVTOUCH™)

Material:	Polyester coated carbon steel
Degree of protection:	IP55 / NEMA 12
Supply voltages:	380 V to 480 V (-5% to +10%), 50/60 Hz
Operating temp range:	5°C to 40°C
Relative humidity:	<85% non-condensing
Cooling fans:	Yes

#### CABINET (GENERAL)

Ballast power adjustment:	Stepless variable power (30 to 100% of maximum ballast rating)
Interconnecting cable:	10 m cabinet to chamber

#### CUSTOMER INPUTS

4-20 mA passive inputs:	Flow meter and transmittance meter
VFC inputs:	Remote stop/start, Remote reset, Reduce power
24 V dc pulsed inputs:	Start and stop

#### CUSTOMER OUTPUTS

4-20 mA passive outputs:	UV intensity, UV dose and chamber temperature
VFC outputs:	Lamp ready (enable flow), System running, Common warning, Common trip, Low UV warning, Water leak detected, System in remote

#### CUSTOMER COMMUNICATIONS PORT

RS 485:	Industrial Ethernet
---------	---------------------

#### APPROVALS

CE marked, USEPA (UVDGM) for Cryptosporidium reduction



**SWIMLINE PQ**

Also available in our Pools & Leisure product range...



**SWIMLINE PH**

Standard disinfection and  
dechloramination



**[www.weuvcare.com](http://www.weuvcare.com)**

BERSON, HANOVIA & AQUIONICS WORKING TOGETHER AS PART OF THE HALMA GROUP.

**Netherlands**

t: +31 40 2907777  
e: sales@bersonuv.com

**China**

t: +86 21 61679599  
e: china@hanovia.com

**USA**

t: +1 980 256 5700  
e: sales@aquionics.com

**Germany**

t: +49 800 5892779  
e: verkauf@hanovia.com

**Malaysia**

t: +60 16 440 8834  
e: asia@hanovia.com

**Canada**

t: +1 980.256.5700  
e: sales@aquionics.com

**United Kingdom**

t: +44 1753 515300  
e: sales@hanovia.com

**Mexico**

t: +1 980.256.5700  
e: sales@aquionics.com